



PROFIL	length	surface finishing	item number
	1m (standard) 2m (standard) 2 - 6m (special order)	anodized	IL-XTRU-4370

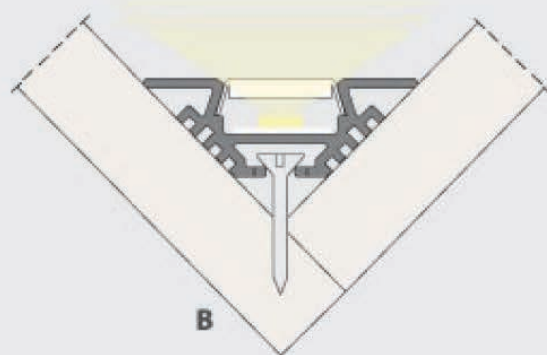
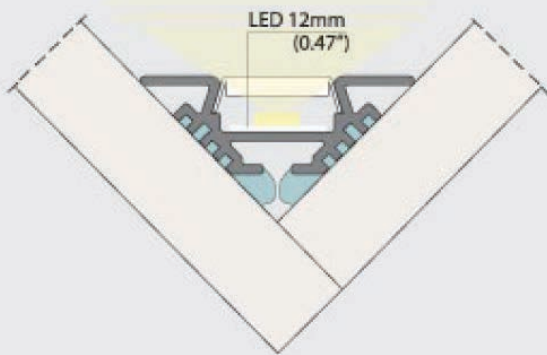
COVER K 12 NEW	length	cover	description	item number
	1m 2m	frosted	70 % transparent, more flexible	00155
		transparent	98 % transparent, more flexible	00156

COVER HS 12 NEW	length	cover	description	item number
	1m 2m	frosted	70 % transparent, more rigid, perfectly flat	00157
		transparent	96 % transparent, more rigid, perfectly flat	00158

END CAPS	item number
	end cap PCV 00084

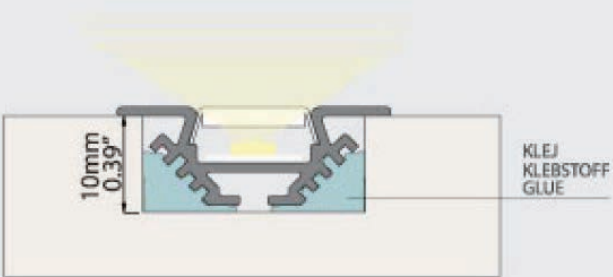




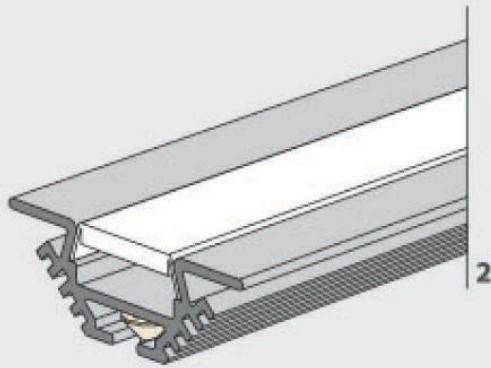


A

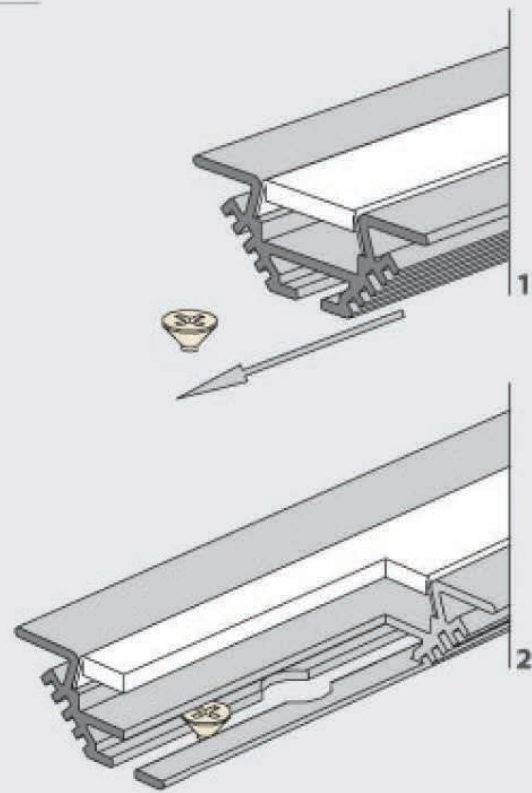
B



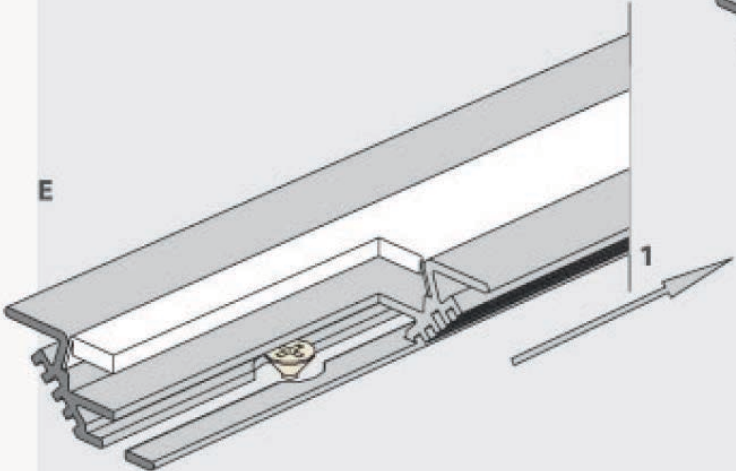
C



D



E



Ø 7mm
(0.27")

