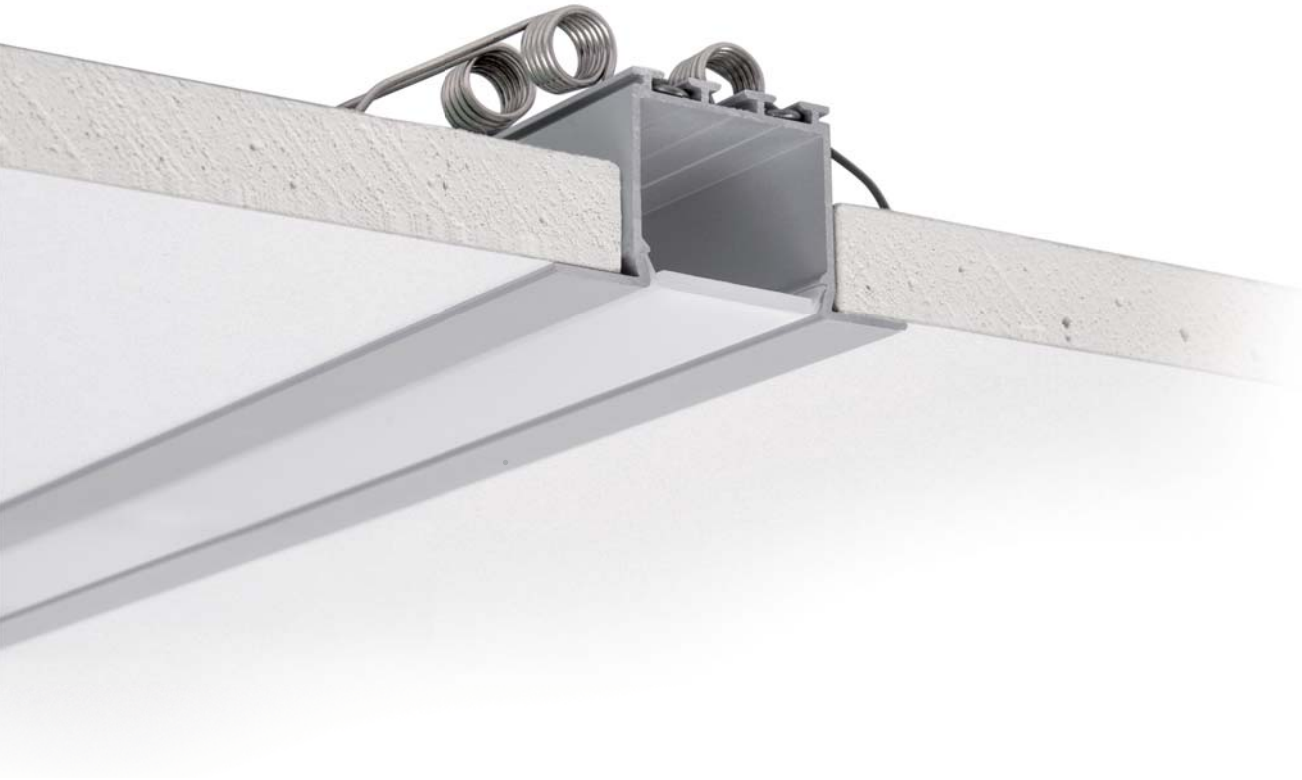


IL-XTRU-5552

PROFILE FOR GROOVES

Profile for ceilings and drywall faced with their surface, producing a line of light with two LED strips with the diodes spaced 15mm apart.



basic accessories



REF. 24006



REF. 17011



REF. 17022



REF. 00838

optional accessories



REF. 24015



REF. 00413



REF. 17006



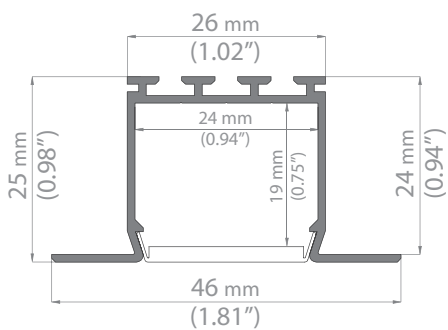
REF. 24020

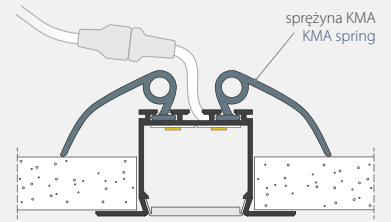
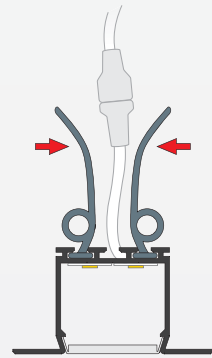
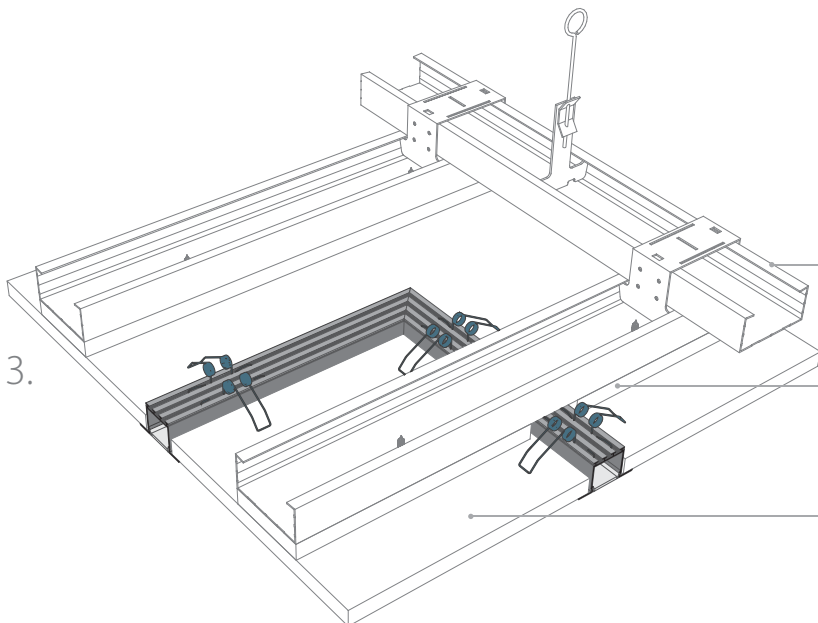
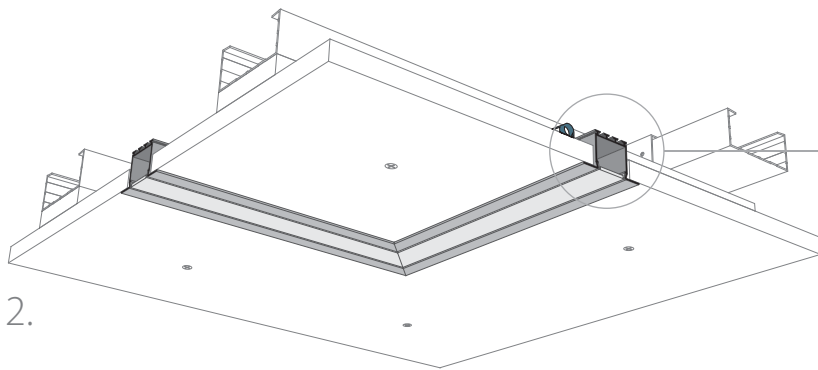
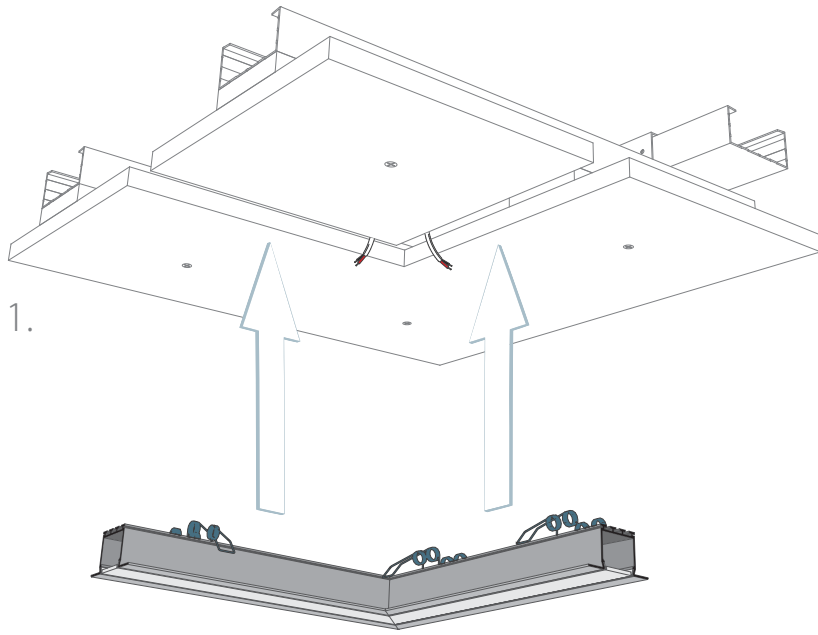


REF. 17007



REF. 00415





konstrukcja nośna sufitu
support structure of the ceiling

karton gips – dodatkowa płyta dystansująca
drywall – additional spacer 'bars'

karton gips
drywall