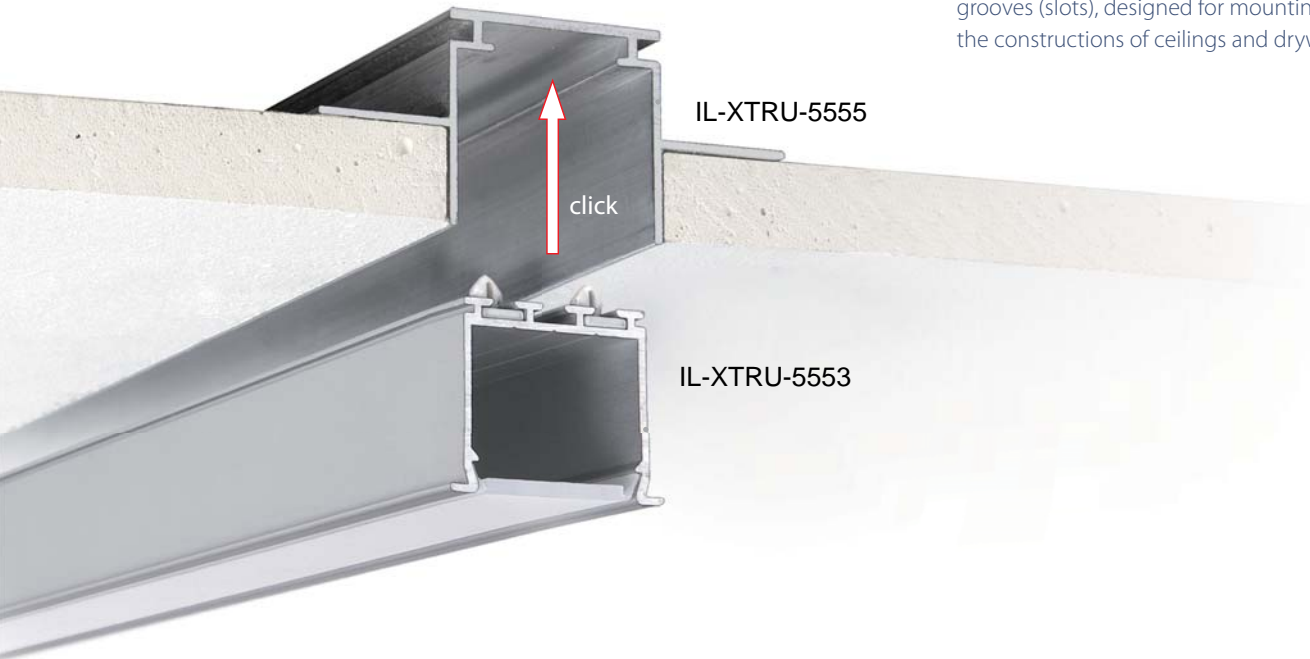


# IL-XTRU-5555

profile for the construction of precise grooves (slots), designed for mounting together with the constructions of ceilings and drywall.



IL-XTRU-5555

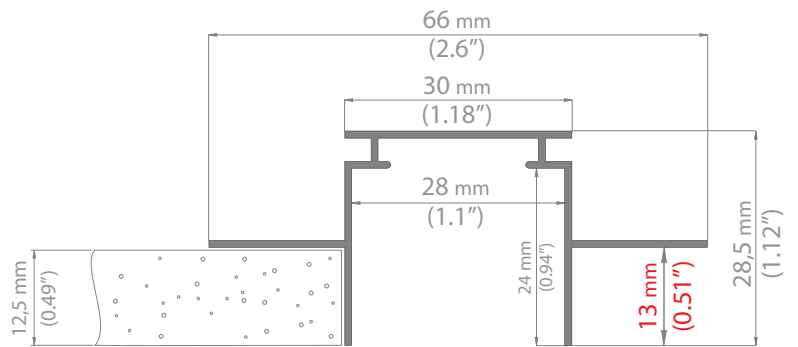
IL-XTRU-5553

## IL-XTRU-5555

basic accessories



end cap  
REF. 24002

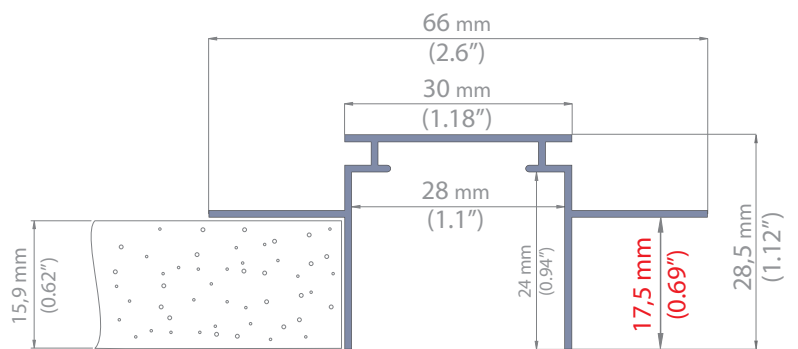


## IL-XTRU-6638

basic accessories



end cap  
REF. 24002



## IL-XTRU-5553

basic accessories



end cap  
REF. 24005



frosted  
REF. 17011



transparent  
REF. 17022



clip  
REF. 24003

optional accessories



REF. 24015



REF. 00413



REF. 17006



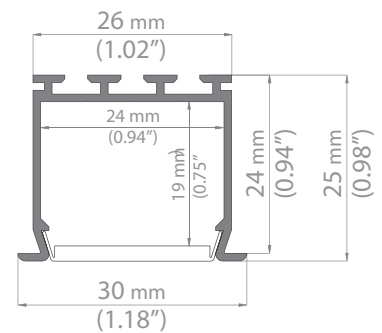
REF. 24020

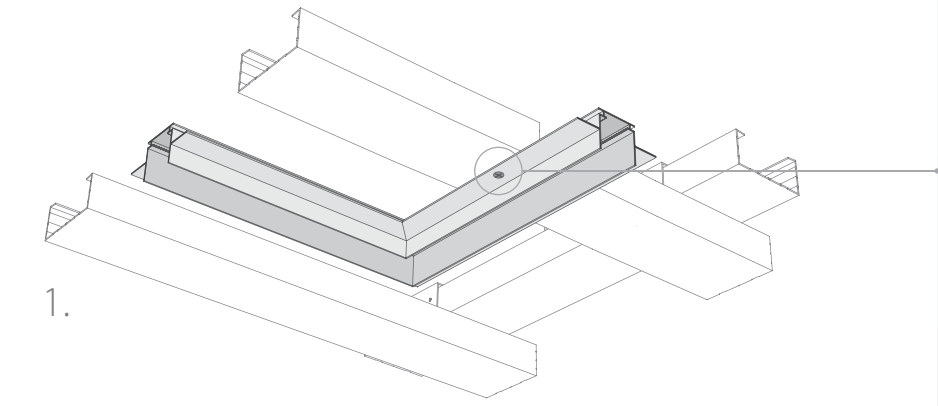


REF. 17007

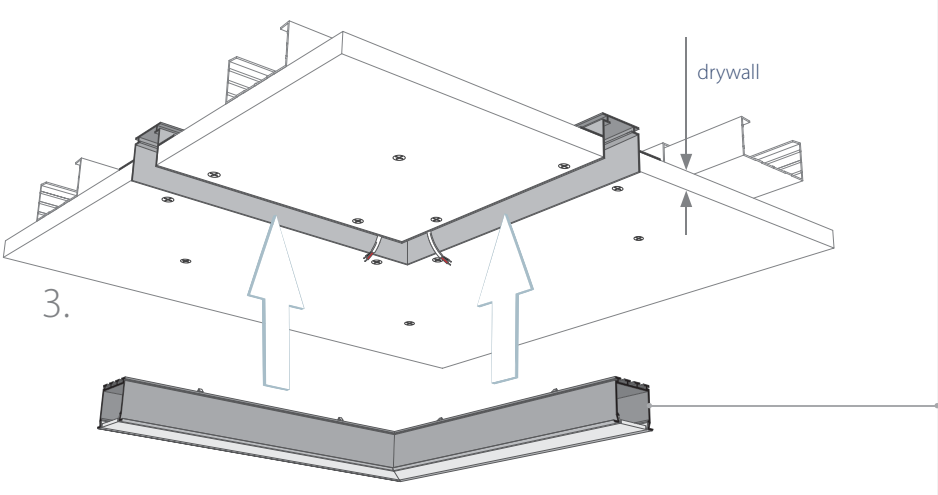
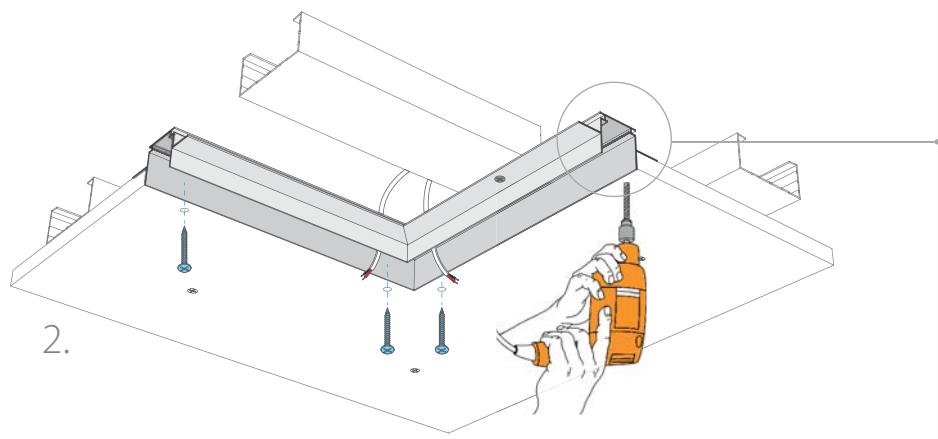


REF. 00415

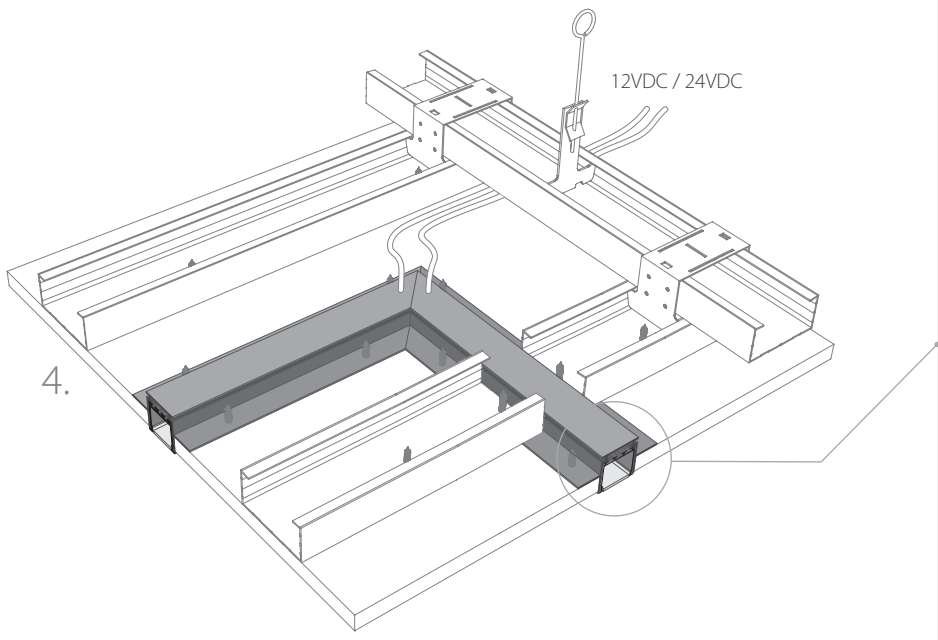




mounting the profile with the support structure of the ceiling



drywall



12VDC / 24VDC

clip

