

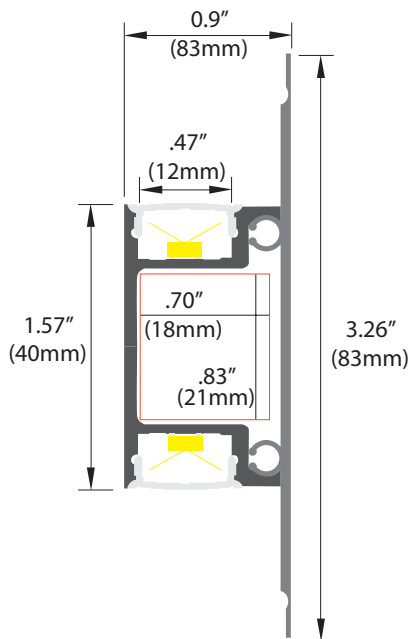
# XTRU-A4-1

## Wall Series | ARCHITECTURAL LIGHTING



Impact Lighting's X-TRU-AW4-1 LED Profile is designed for unique applications for designers and architects.

Suitable for surface mounting or custom recessed installation. This high quality profile offers an unique way to make use of linear low voltage lighting and is the designer's choice for commercial and residential LED strip lighting.



**XTRU-AW4-1**  
**Architectural Series**  
Aluminum dual LED  
lighted profile.



Bi-lateral Illumination

### KEY FEATURES:

- ▶ Can be used in recessed areas
- ▶ Fixed to the finished surface with screws or an adhesive
- ▶ End caps
- ▶ No visible LED points
- ▶ Custom cut to length (max 2 meters / 78 inches)

### X-LUME

A DIVISION OF IMPACT LIGHTING INC.